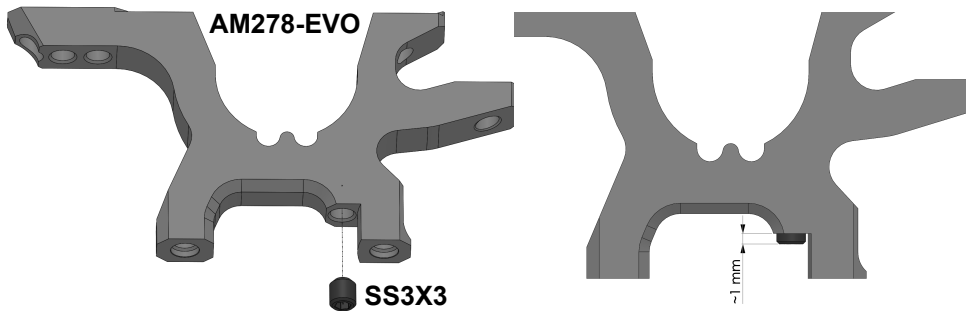
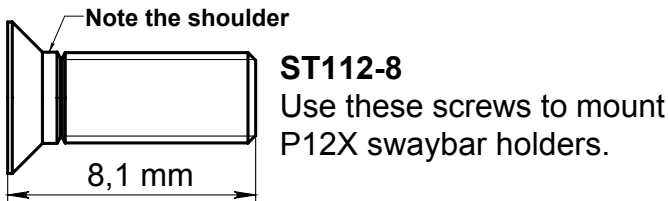
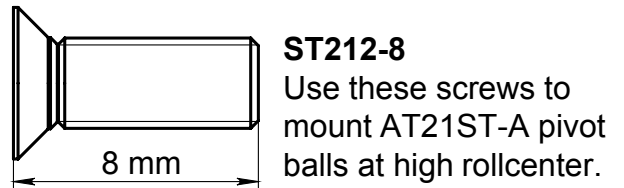
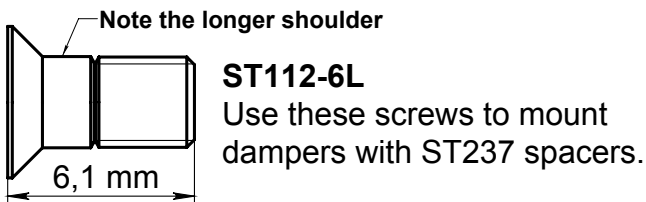
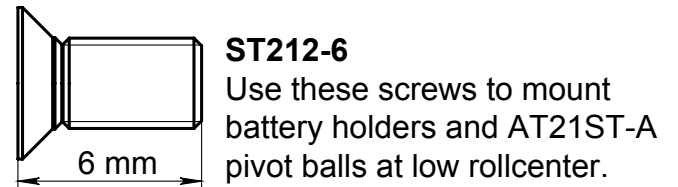
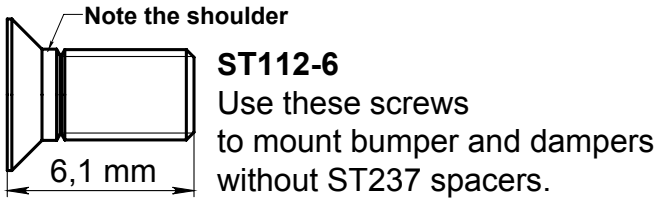
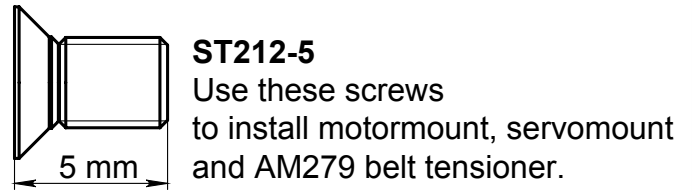
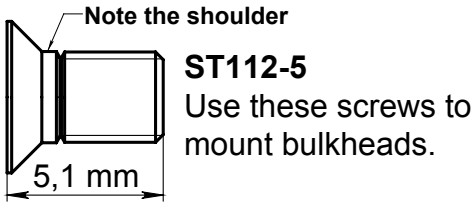


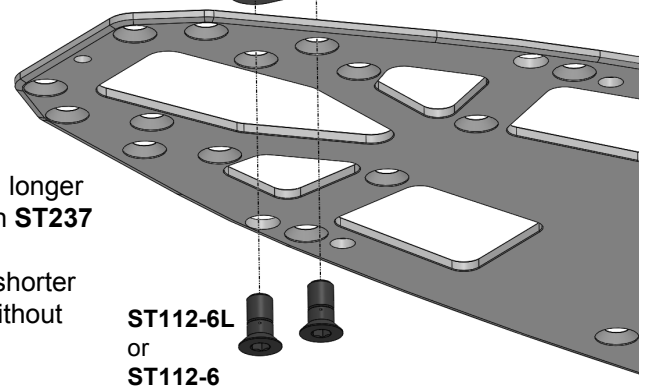
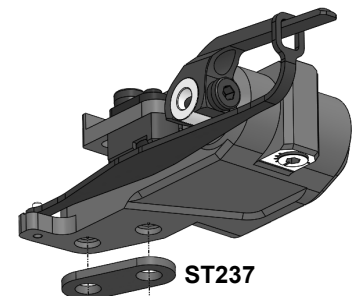
# Awesomatix C01B-RS steel lower deck installation notes.

## Screws for Awesomatix C01B-RS steel lower deck.



Install the **SS3X3** set screw into the **AM278-EVO** bulkhead as shown when the dampers are mounted to the chassis without the **ST237** spacers. When the dampers are mounted to the chassis with **ST237** spacers, the **SS3X3** screws should be fully engaged or can be removed completely.

Install **ST237** - 1 mm thick spacer under every damper.



Use **ST112-6L** centering screws with longer shoulders if dampers are mounted on **ST237** spacers.  
Use **ST112-6** centering screws with shorter shoulders if dampers are mounted without **ST237** spacers.